



The Newsletter of
the Alfa Romeo
Owners of
Southern California



Our annual Holiday Party is just around the corner. Plan to don your favorite duds, cook a super side dish, and join the fun on December 17th! Details on page 5.



On the Members' Page: more Monterey memories; Welcome and Welcome Back, See page 16. Here is the Cline SS, the only SS at Concorso Italiano 2022. Photo by Joli Ling-Tsai

Previews

- Nov 6** Best of France & Italy Show, Van Nuys
- 10** Ballots Due to Election Committee
- 20** 2023 Planning Meeting
- Dec 17** Holiday Party



*Avanti
e Verso
l'Auto!*

Presidents'
Message

Good Day All,

Another couple of months have gone by since our last newsletter, and some of us have had **adventures** during that time.

Our chapter put on an outstanding Malibu Day Drive, followed by a special 60th Birthday Party, and of course August in the Monterey area had a lot of great events.

Our Competition group provided a valuable Driving School on September 10 and 11, and later offered another Time Trial/Race Weekend on October 8 and 9; both were at our home track, Willow Springs International Raceway.

AROSC's 60th Birthday party was a fabulous celebration of our chapter's glorious history. Huge thanks to Norm and Evelyn Silverman for planning and hosting our premier 2022 event! See more starting on page 12.

And, another of Evie's successes was her annual Welcome

more on **2**

Dinner during Monterey Car Week. It was not only well-attended, it was fun! See the December *Alfa Owner* for compliments from AROC.

In mid-September Steve and Jeff created a morning drive that ended at the Mullin Museum in Oxnard. This was followed by a lovely reception at Mike and Chris's home in Camarillo. Recap begins on page 6.

The *most amazing party* in Southern California was November 6, at Woodley Park - The Best of France and Italy show. We'll have lots of photos and a 2nd Alfa Italia People's Choice winner to announce in the January-February issue.

The AROSC Board of Directors election is under way right now and we hope you'll be sending your ballots in by November 10th.

On Sunday, November 20 your Board of Directors will meet via Zoom to plan our fun activities for 2023. What would you like to do with your Alfa in 2023? Could we get some suggestions, either by email (info@arosc.org), or by attending the meeting? When would you like the next Concorso? What other collection, shop or museum visits could we do? Your suggestions are valued!

Our annual Holiday Party will again be hosted by MJ and



Sheila Kutkus on Saturday, December 17. See details on page 4.

Also in this newsletter is the return of "The Tech Guy", the popular column by longtime member Gene Brown. Do you have questions for him? Please send them to alfagene@att.net, and we'll publish his answers!

Did you know that there is an Alfa Romeo Tonale website with lots information, including how to reserve one? Take a look at <https://www.alfaromeous.com/tonale>. There are also useful details about the current models, even with access to an online Owners Manual.

AROSC is pleased and gratified to see our roster continue to grow and refresh each month. Check out the Members' Page to see who is new and has renewed

Come drive with us, and *ciao* for now!
- Jim & Elyse Barrett
Copresidenti

ALFA ITALIA
EXPERT SERVICE
&
AWARD WINNING RESTORATIONS
1700 N SAN FERNANDO BLVD.
BURBANK, CA 91504
818-841-6959 | ALFAITALIA.NET

It's Election Day for AROSC

Cast your ballot by November 10th

It is Board of Directors election time!

You should have received your e-ballot and we need your votes by November 10th!

There are new candidates running for office and ready to bring ideas and energy to your Club. The 2023 board will meet on November 20th to create a fun calendar of events and we want to hear from you.

Day drives have proven to be the mainstay of our yearly activities. Where would you like to tour next year? Think about it! You know your backyard best. Share it with the Club!

Email us at info@arosc.org to share your thoughts!

60th Anniversary T-Shirts !



If you missed the 60th Summer Party, you missed the first opportunity to pick up this special AROSC 60th Anniversary T-Shirt!

Produced by our resident professional rag man, Norm Silverman, these quality Gildan 100% "Ultra Cotton" crew neck shirts are a rich red addition to your Alfa wardrobe. You can order yours now for just \$10 + shipping (which depends on where you are). Sizes are S, M, L, XL and 2XL. Email Norm at normanev@msn.com for details.



AROOSC 22nd Annual Clubhouse Holiday Party

Saturday, December 17th, Noon - 5

Hosted by M.J. & Sheila in Redondo Beach
Join us and meet up with **old friends**, make **new friends**.



Alfa folks are the Best in the World!



M.J. & Sheila will do a **Holiday BBQ**

- Baja Beef Tenderloin on the Spit
- Loreto Chicken Verde
- Sea of Cortez Shrimp

Bring your **specialty dish**, salad or dessert!



**Wine tasting table,
you bet!**
**Bring your favorite
wine to share!**



Door Prizes, oh yeah!

RSVP to Sheila for directions: Sheila.k@verizon.net

Let Sheila know how many in your party
and what you will bring.

Call 310-542-3448 if you need more info.

Happy Holidays! See you at the party!!

Alfa Parts

www.alfapartscatalog.com



Largest online catalog of original parts and accessories with factory part numbers, images, parts diagrams, online ordering!

- ▶ *Original parts and hard to find NOS.*
- ▶ *Rebuilds, sheetmetal, restoration and aftermarket parts.*
- ▶ *High performance components.*
- ▶ *Full line of Alfa Romeo Factory gifts, accessories and collectables.*
- ▶ *Prompt worldwide delivery.*

From Giulietta to 164, factory authorized Alfa Romeo parts provider, over 30 years of exclusive Alfa Romeo experience.

***Jon Norman, Ruth Ann Yager
800 890 ALFA (2532)
510 525 9435***

www.alfapartscatalog.com

A Fall Fling Mountains, Museum and More Tour



Our September 17th AROSC Mountains, Museum and More Tour was a day with several options to enjoy the road, automotive history and camaraderie.

Those who participated in the driving tour to the Mullin Automotive Museum gathered early at the Australian influenced Blueys Market and Café in Santa Monica.

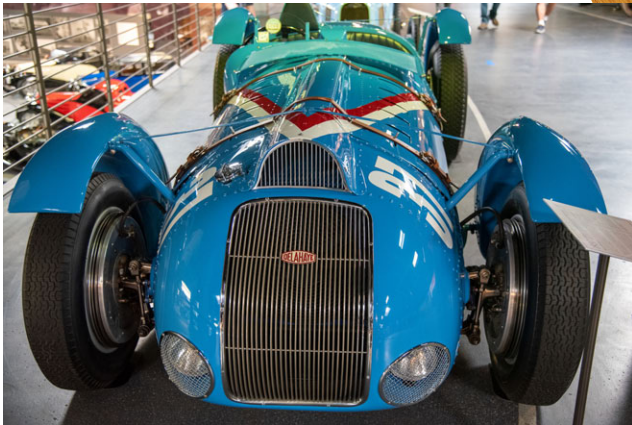
After a bite of breakfast, the group headed off on a two-hour drive to conquer the twisty scenic roads of the

Santa Monica mountains. Peter Pavia and new-since-May member Daniel Frank both brought their '74 GTVs, with Daniel accompanying the other cars for the first half of the drive.

The driving tour met up with other club members who had come directly to the museum and we combined forces forming a group of 30 AROSC *Alfsiti*.

We toured Peter Mullin's extensive collection of French vehicles which includes the largest private collection of Bugatti automobiles in the world, along

Nothing says "This is the Mullin" better than a wide-angle view of the main exhibit floor from the mezzanine, featuring a 1937 Delahaye cabriolet on the center turntable. The world's largest collection of Bugatti automobiles, art and design was ours to wander for the morning.



with French art, sculpture, furniture (many pieces also designed and built by one or another member of the Bugatti family) and artifacts.

After enjoying the museum, we migrated to the home of Chris Burke and Mike Riehle in Camarillo to enjoy a perfect late-summer afternoon in their beautiful backyard, socializing and catching up with old friends over pizza, snacks and drinks.

– Steve Edelman



From top left: Steve runs the drivers' meeting; breakfast paninni at Blueys; dueling '74 GTVs ready to rumble; Delahaye racer nose; Bugatti racer cockpit; amazing wooden cowl and ostrich upholstery.

Continued



From top left: the Schlumpf collection; massive Delahaye V12; amber art glass to die for; Bugatti furniture; Delahaye cabriolet.

Continued



Clockwise from top left: Peter, Naomi, Evelyn, Mike and Karen in the shade; Val and Monique; Chuck, Mike, Kurt and Sharon share; Evelyn and Susan talk with their hands; our hostess with the mostest, Chris.

Barlow Insurance
Quality Collector Car Insurance Since 1971

JONATHAN BARLOW
Lic#CA0774014

800-558-7772 • 951-279-4002 • Fax 951-279-8502
P.O. Box 77788 • Corona, CA 92877-0126
barlowjb@pacbell.net

Please Visit our Website at
www.BarlowInsurance.net

FIAT 

A & A IMPORT SERVICE

2ND GENERATION FACTORY TRAINED PERSONNEL

511 Richardson Avenue
Santa Barbara, CA 93103

Emilio Valsecchi, Jr.
Owner

(805) 966-2498
email: aaimport@cox.net

The Tech Guy

by Gene Brown



Ups & Downs

I have had my Montreal for more than 22 years now, and one thing that has always bothered me is how slow the power windows operate. As another owner has said, "If you want the windows down in the afternoon you better start in the morning."

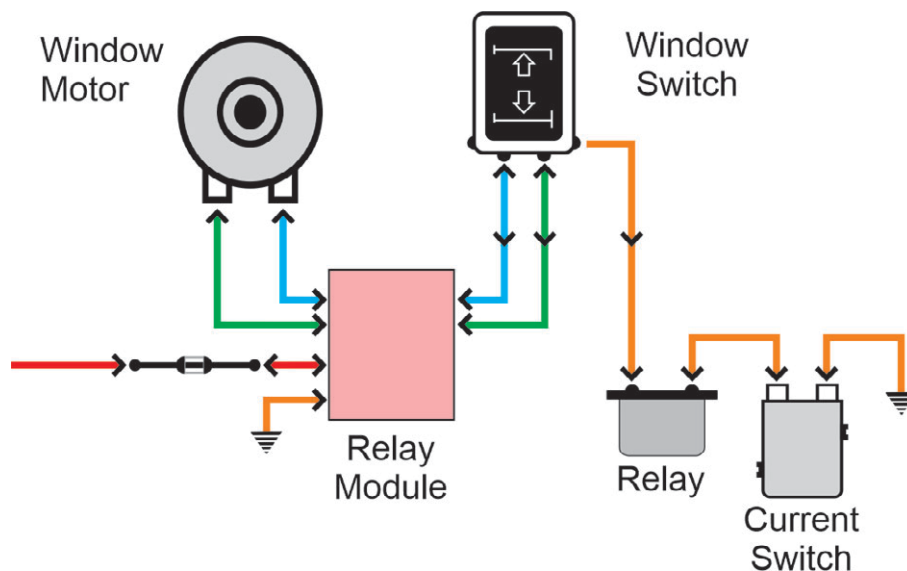
Over the years I have tried various things to make them faster. In every case I needed to get to the window mechanism, which anyone can tell you is not one of the more pleasant Alfa repair experiences.

I first tried cleaning and lubricating all of the pulleys, cleaned and greased the cable and regreased the motor gears. These attempts produced maybe a little improvement, but not much. Over the next

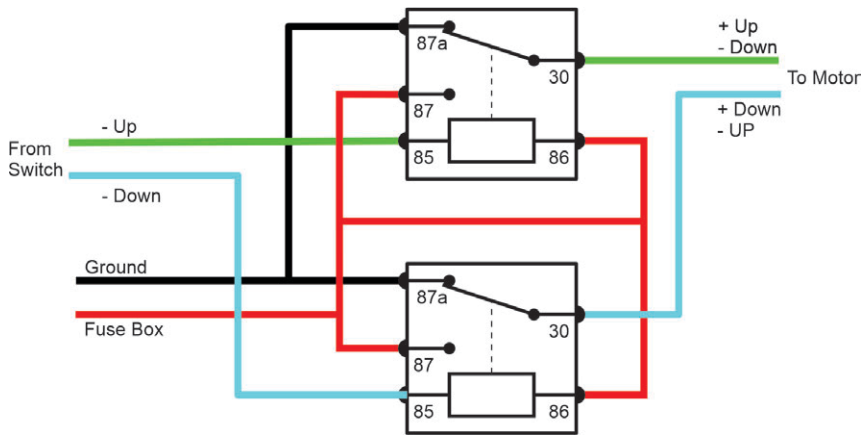
few tries I replaced the felt runners for the window, the rubber seal on the outside of the window, and even put in a new cable and tried a new motor. I found it to be very frustrating. The fact that I could put up with the slowness combined with the difficulty of working on the windows meant that I spread these attempts over many years.

However, there were some positive aspects to this travail. I 3D printed a slip-on cover to hold the cable to the drum while reinstalling the mechanism, which made removal and installation much easier.

In the end I determined that the problem was not mechanical. That just left electrical



Continued



Above: The schematic shows 18 connections, 50-year old connections.

Right: the module!



in my chain of deduction. I noticed that I was only getting about eight volts to the window motor instead of the 12 volts I would expect.

The schematic between the battery and ground showed the window circuit has 18 connections. There are all 50-year-old connections. Now I could get out some contact cleaner and attempt to clean all of these contacts, which would require tearing into the wiring harness. Instead, I gave it some thought, and making use of a connector for the windows in the footwell I installed a relay module so that the battery power would go from the fuse box through the relays and directly to the motors. I moved a couple of wires around on the window switch so that now the

switch just controls the relays and with that low current, the voltage drop through the wiring harness becomes insignificant.

The result? The windows go up and down in less that seven seconds. Success!!

In my first try at recreating the module, I used some relays and sockets I bought. It worked but was not very nice looking. I then made up a printed circuit board with bus bars for the high current runs and a 3D printed cover. It mounts nicely in the footwells and is very neat looking.

Alfa should have done this from the beginning.

Summer Party Memories

- the coolest 60th ! -



Here are more memories of our super 60th, the Summer Party to commemorate the Chapter's founding.

We had some new faces and plenty of familiar ones under the umbrellas in the Silverman's Chatsworth back garden to enjoy Epic Tacos tacos, quesadillas, salsa and sides. We wore our party hats and raised a rose-gold sparkled Prosecco flute to our good fortune to be together and to our

dearly departed Mary Blankenship.

Clockwise from top: The Toast! Susan and Cindy arrive. Jim and Mike lead the parade of presidents (We had two more besides them: John Ireland and Norm Silverman). It was Mary Ann's first AROSC Summer Party. *La Copresidenta* cuts the birthday cake!

Here's to 60 more years!



Clockwise from top left: the Silverman's back garden was the perfect venue. Norm displays the 60th Anniversary shirt; Epic Taco chefs cooked up a storm. David, Steve and Jon discuss; Chuck and Chuck compare images; Sheila and Susan catch up; MJ, Gene, Erwin and Mario found shade.





Oh! The auction!
John explains the value of the bottle Jeff is holding; Steve, Pat, Cindy and Jayne are impressed by how Jeff managed to sell everything on the table!

Mille Grazie to our volunteer *Alfacionada* contributors whose words and photography helped bring this November-December 2022 newsletter into focus: David Waelder, Steve Edelman, David Gooley, CaliPhotography.com, Joli Ling-Tsai, Jim & Elyse Barrett.



2312 1/2 W. 2nd Street, Santa Ana, CA 92703
714-953-3020

GARY TODISCO





Santo's Italian Car Service
 8816 Amigo Ave. Northridge, CA 91324

(818) 701-1614
 santoservice@hotmail.com

Repair · Service · Race Prep
 Restoration

Family owned and operated since 1981



PIEMONTE

JUNE 17 - 20
 PRE-TOUR · ASHEVILLE, NC

JUNE 21 - 25
 CONVENTION · CONCORD, NC



2023 AROC NATIONAL CONVENTION



SPONSORED BY  YOUR ALFA ROMEO DEALER

In my mind I'm going to Carolina...

REGISTER NOW!
2023aroc-convention.org

CONVENTION CENTRAL - EMBASSY SUITES BY HILTON
 Golf Resort & Spa / Charlotte-Concord, NC / hilton.com
 CALL: 704-455-8200 / Ask for Alfa Romeo Owners Club National Convention Rate



- 'Giro delle Montagne' Asheville Pre-Tour
- Track Day at Charlotte Motor Speedway
- Famous Race Shops & Collections Tour
- Piccione Winery Tour & Lunch
- Southern Distilling Bus Tour & Dinner
- Cabarrus County Self-Guided Tour

- Southern Feast Buffet
- Concorso d'Elaganza
- NASCAR Museum Bus Tour
- Downtown Charlotte Bus Tour
- Moonlight Car Show
- Tech Sessions & Swap Meet

The Members' Page

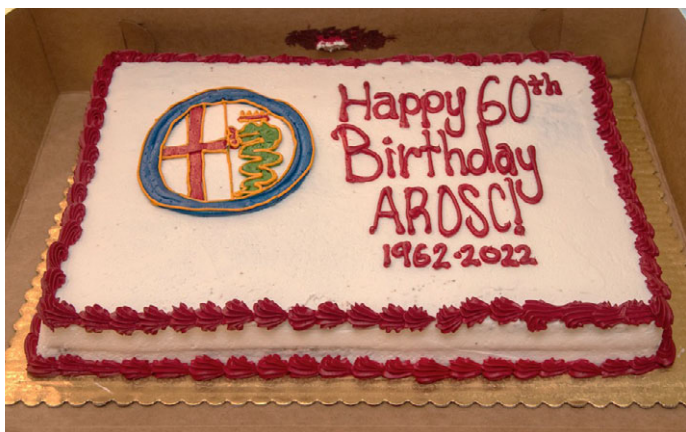
Welcome & Welcome Back

AROSC is pleased and gratified to see our roster continue to grow and become enriched each month with new and returning members!

Benvenuto to Bertram Bunch, Carlo Brignardello, Tim Gallegos, John Georges, Lee Harris, Guy Jamison, Esther Klimkiv, Fabryce Kutya, Shannon Miller, and Bronson Page.



More good Monterey memories from Concorso Italiano: Ed Wustenhoff's gorgeous NRING Giulia, #3 of 55, (in center between red and black cars) was appreciated in the new Alfa row. Amil Faroqui is all smiles with his Sports Car Market Tipó Award for Best Series 2 Spider. Congratulations!



It was a pretty good year to turn 60. Happy Birthday, AROSC.

Join Us at the Track!

Just starting out, experienced or already a racer?
We have a run group for you!
All marques are welcome.



2023 Schedule

January 14-15

Streets of Willow
High-Performance Driving School

February 18-19

Big Willow
Time Trial & Race

September 9-10

Streets of Willow
High-Performance Driving School

October 7-8

Big Willow - Time Trial & Race

**Sign up for our track events at
www.alfaclubracing.com or motorsportreg.com**

ABOUT YOUR CLUB

AROSC Business Address

27152 Paseo Del Este
San Juan Capistrano, CA
92675-4927
info@arosc.org

Changes of Address

To continue receiving the AROSC *Alfacionada*, and the monthly national magazine *Alfa Owner*, your new email and street address needs to be provided to both the Chapter and to the national organization. Send your updates to us at info@arosc.org and go to aroc-usa.org and click on Membership to change your national status. If using the United States Postal Service, send your change of address to AROC, P.O. Box 92155, Portland, OR 97292.

If you are receiving this newsletter on a complimentary basis, email your change of address to the Newsletter Address or the Club Business Address.

2022 Board of Directors

Your entire Board of Directors is available at one point of contact: info@arosc.org

Leave a detailed message and/or your telephone number and they will be happy to contact you personally.

Copresidenti

Jim & Elyse Barrett
714.642.1593

Vice President

Mike Riehle & Chris Burke
twoina2@sbcglobal.net

Treasurer

Jay Mackro
treasurer@arosc.org

Secretary

MJ & Sheila Kutkus
310.542.3448

Competition Director

Don Wagner
dwagner302@twc.com

Social Chair

Jan Cline
alfa92708@yahoo.com

Membership Chair

Norm & Evie Silverman
normanev@msn.com

Concours Director

Jeff Sirinivasan
rougeman1@mac.com

Webmaster

Mike Riehle
310.780.5427

Newsletter Editor

Elyse Barrett
editor@arosc.org

Member at Large

David & Susan Waelder
davidwae@sbcglobal.net
swaelder@icloud.com

Committees

Technical: Gene Brown
Website: Mike Riehle

Chapter Meeting Information

General Meetings of AROSC are held in conjunction with activities as they take place monthly throughout Southern California.

A full listing of events is posted on our website aroc.org along with a 12-month calendar, which is emailed early each year to members and updated periodically. Email your questions and comments to info@arosc.org and a Chapter Director will respond.

Board of Directors Meetings are held quarterly and all members in good standing are invited to attend and/or bring their business to the attention of *Il Presidenti* via email.

About

Alfacionada

Alfacionada is the publication of the Alfa Romeo Owners of Southern California, a chapter of the Alfa Romeo Owners Club, Inc. (AROC-USA), a national nonprofit association of Alfa Romeo enthusiasts in North America. Joining AROSC includes a subscription to the national magazine and this newsletter - all covered by your annual \$68 AROC dues. Visit aroc-usa.org to join, and select Chapter 20 to affiliate with us, AROSC.

Upon request, permission is granted to other AROC Chapters and AROC-USA to reproduce any original material published herein. We ask the courtesy of a copy of the re-publication be sent to the Newsletter Address.

**Newsletter Address
for Classified Ads, Articles,
Letters and Photographs**
editor@arosc.org

Disclaimer

AROSC and the editors of *Alfacionada* disclaim and assume no liability for the accuracy or legality of any technical information appearing herein. The views and opinions expressed herein are those of the author of the article or of the persons quoted herein. AROSC and *Alfacionada* are also not responsible for the safety or practicality of modifications performed by individuals or companies described in this publication. The automobile's owner/operator should consider his/her goals when contemplating modifications to the automobile, and should seriously think about seeing advice from a trusted person and/or other qualified automobile mechanic before performing any work or modifications to his/her vehicle. Advertisement of automobiles, products, goods or services in *Alfacionada* does not constitute endorsement or approval by AROSC.